

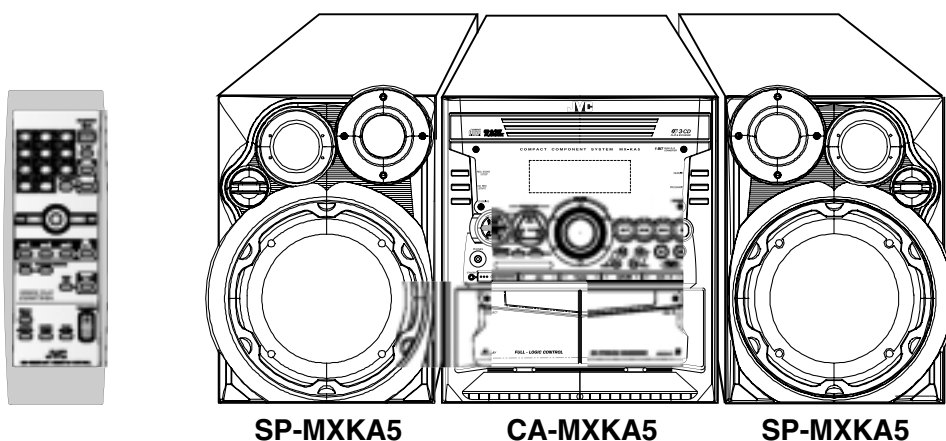
# JVC

# SCHEMATIC DIAGRAMS

## COMPACT COMPONENT SYSTEM

### MX-KA5

CD-ROM No.SML200308



SP-MXKA5

CA-MXKA5

SP-MXKA5

COMPACT  
**disc**  
DIGITAL AUDIO

#### Area Suffix

JW ..... Mexico, Panama

### Contents

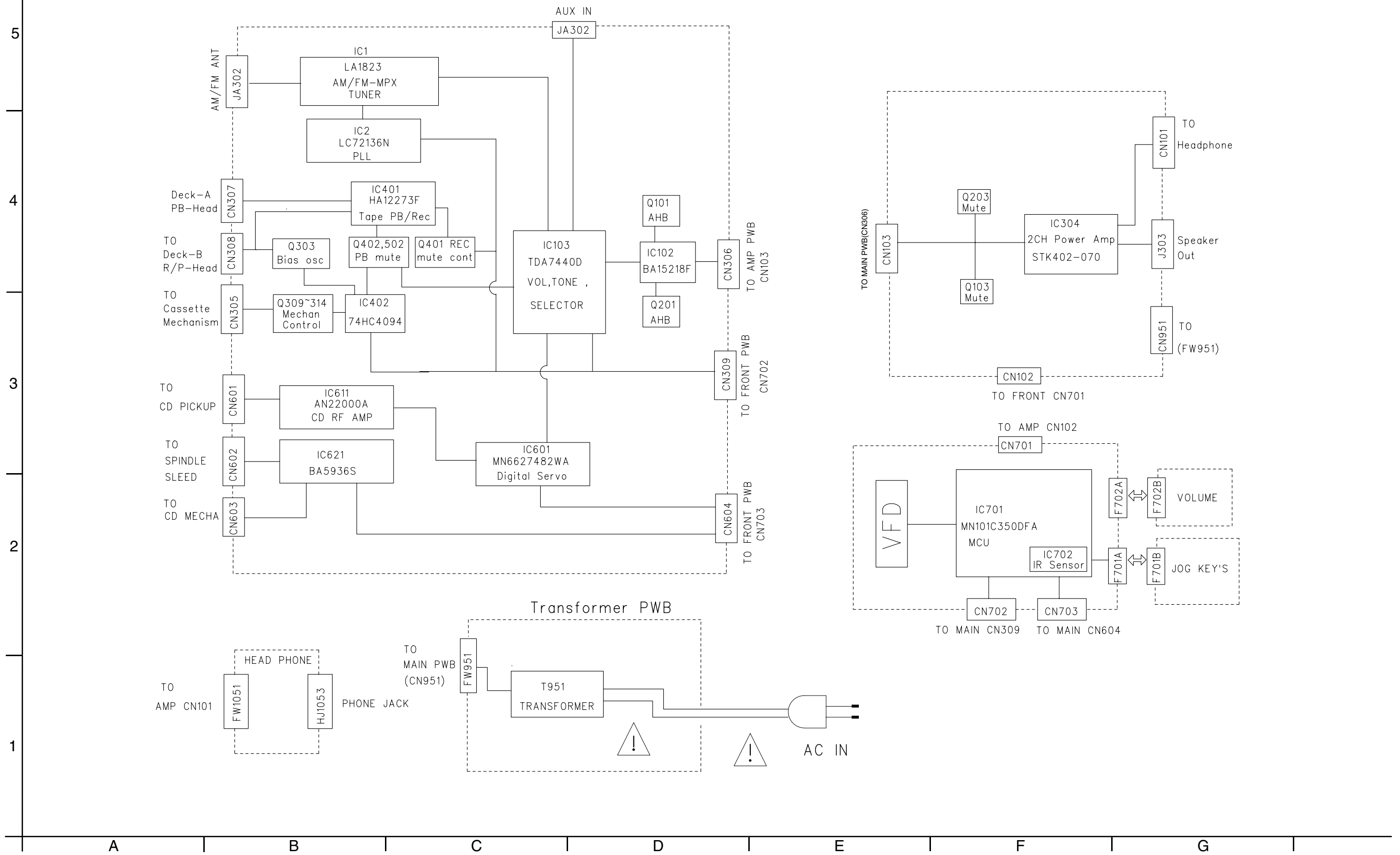
Block diagram .....	2-1
Standard schematic diagrams .....	2-2
Printed circuit boards .....	2-8~2-12

## MX-KA5

In regard with component parts appearing on the silk-screen printed side (parts side) of the PWB diagrams, the parts that are printed over with black such as the resistor (■), diode (⬤) and ICP (●) or identified by the "⚠" mark nearby are critical for safety.

(This regulation does not correspond to J and C version.)

# Block diagram



# Standard schematic diagrams

## ■ Main section

5

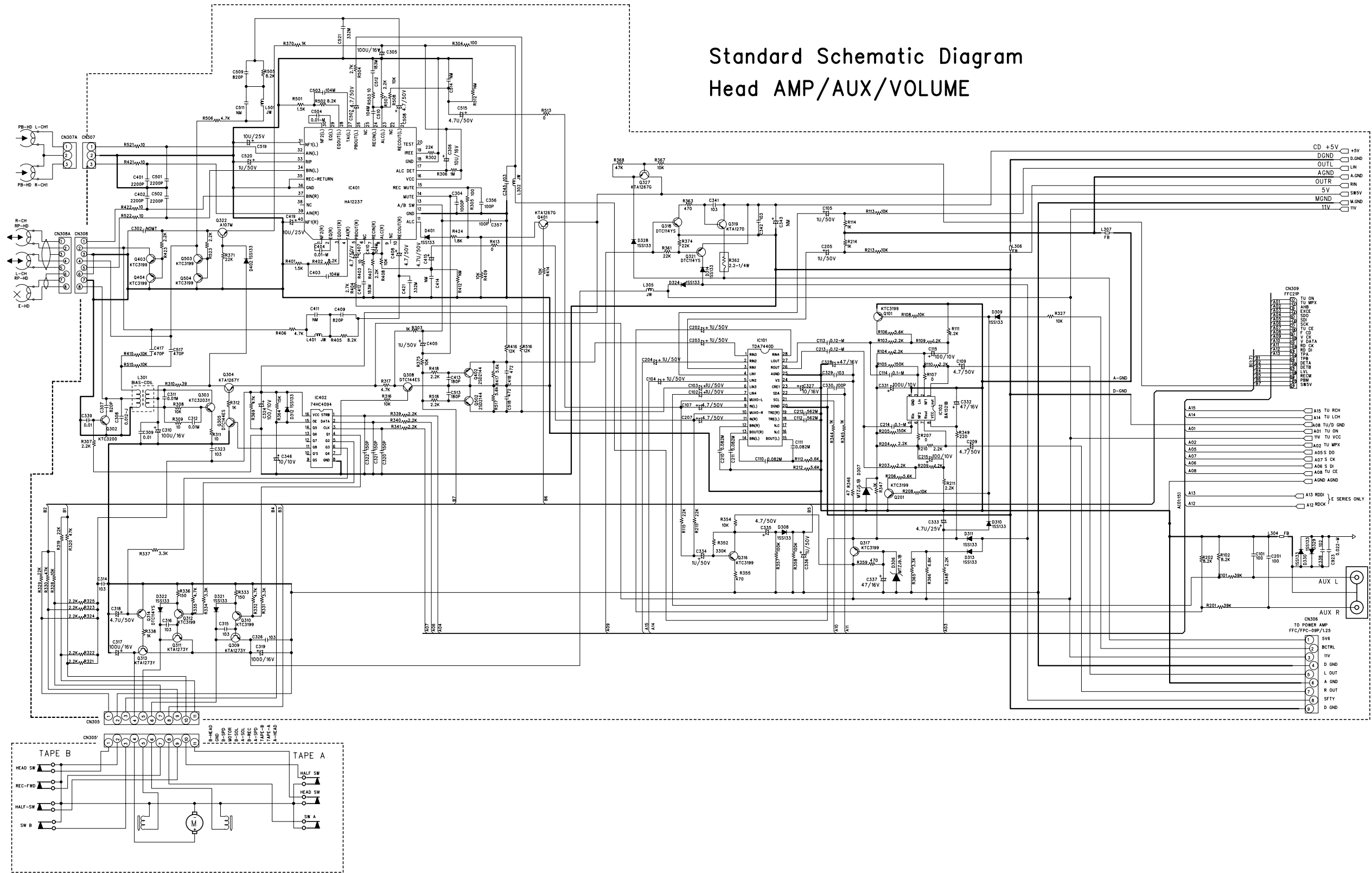
4

3

2

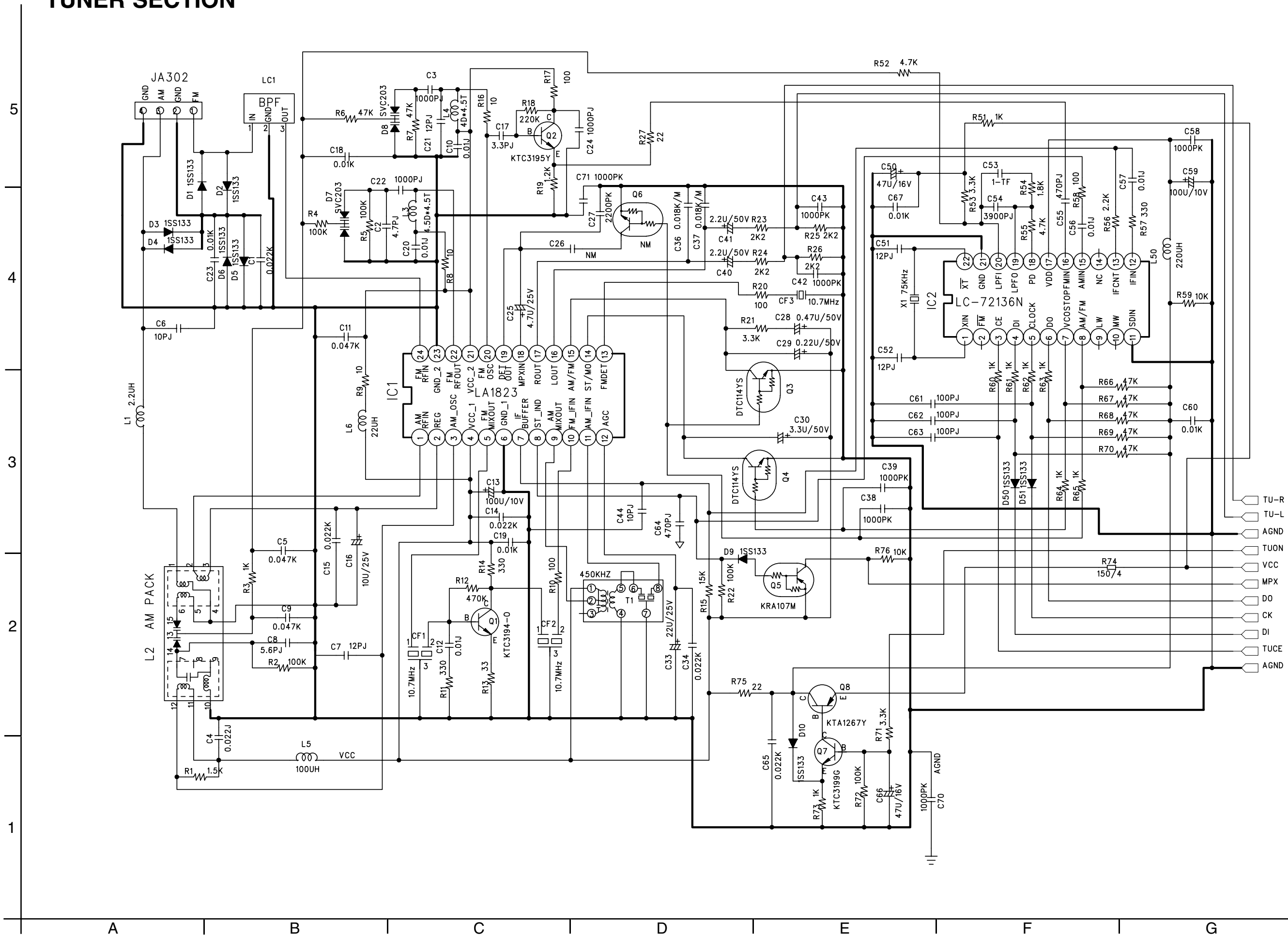
1

### Standard Schematic Diagram Head AMP/AUX/VOLUME



A B C D E F G

# TUNER SECTION



CD Section

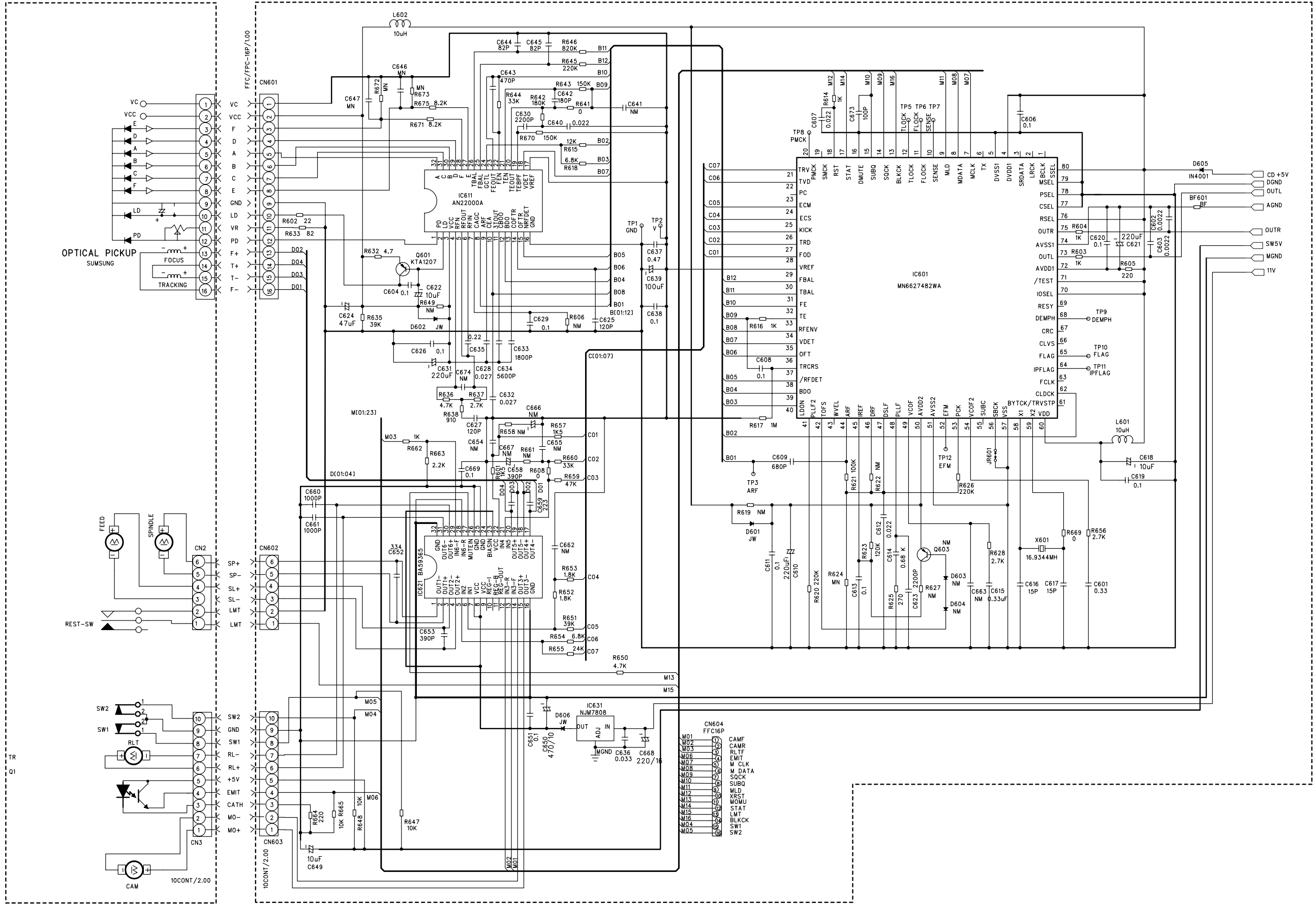
5

4

3

2

1



A

B

C

D

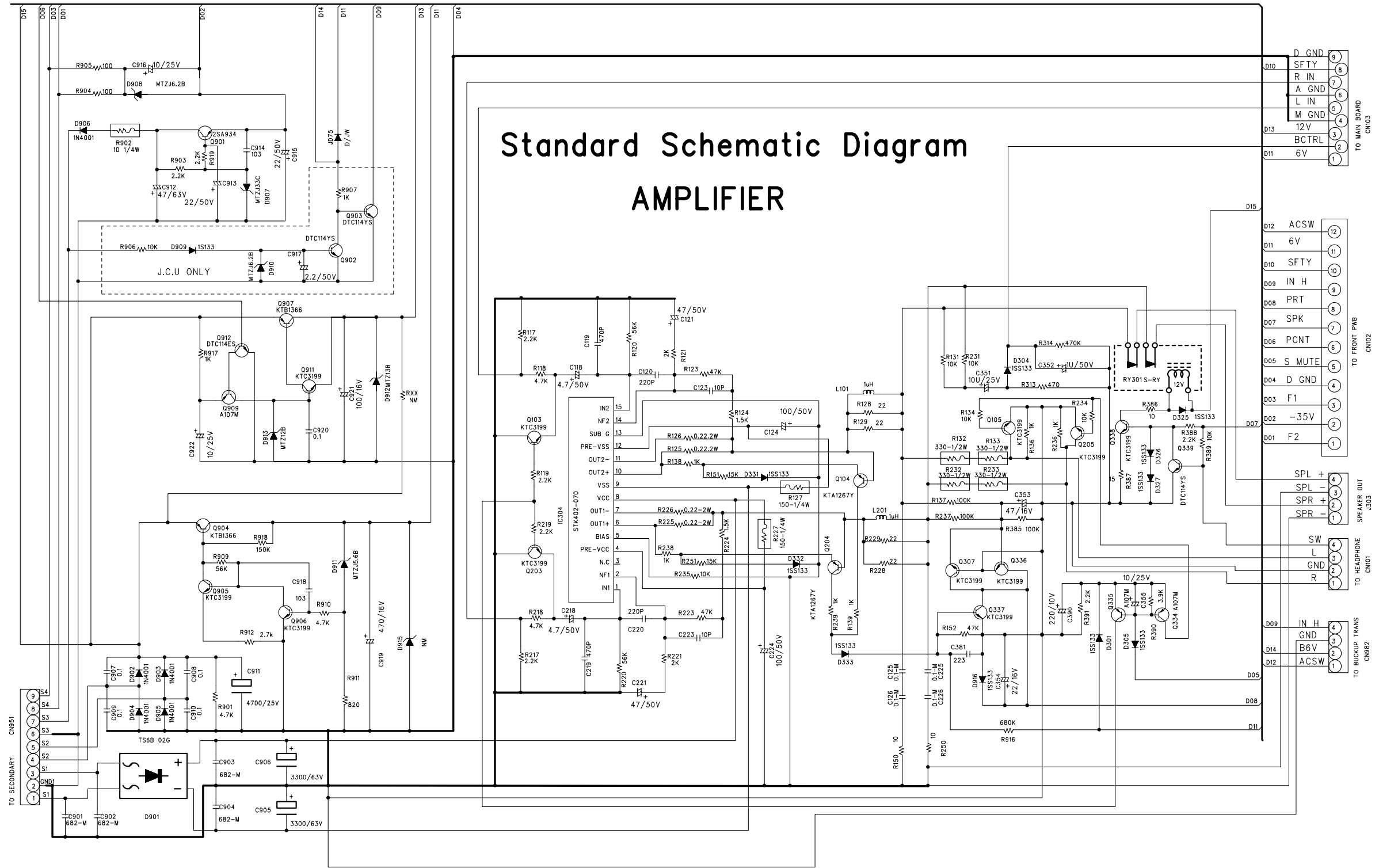
E

F

G

# Amplifier

## Standard Schematic Diagram AMPLIFIER



5  
4  
3  
2  
1

A B C D E F G

# FL Display and Control

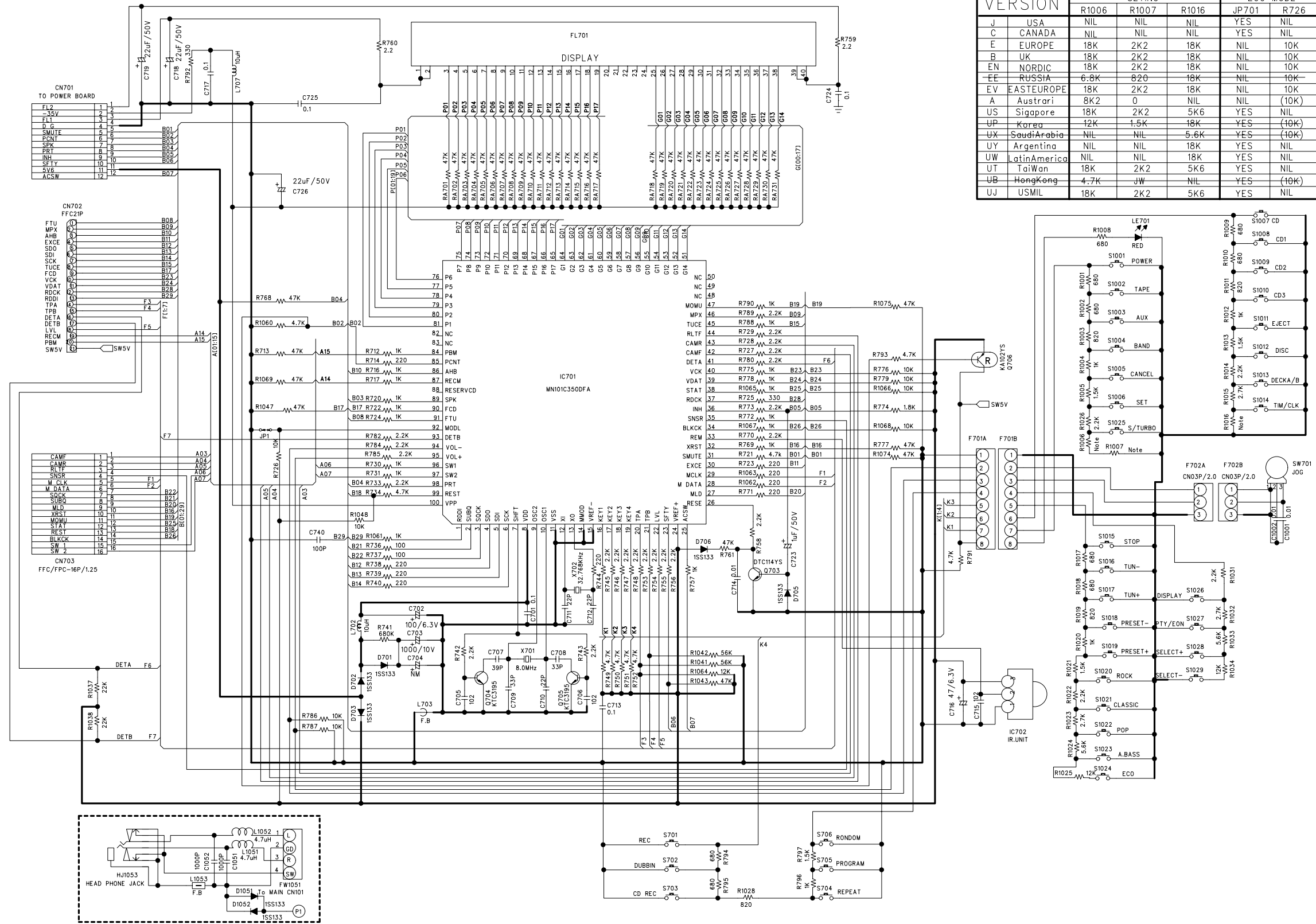
5

4

3

2

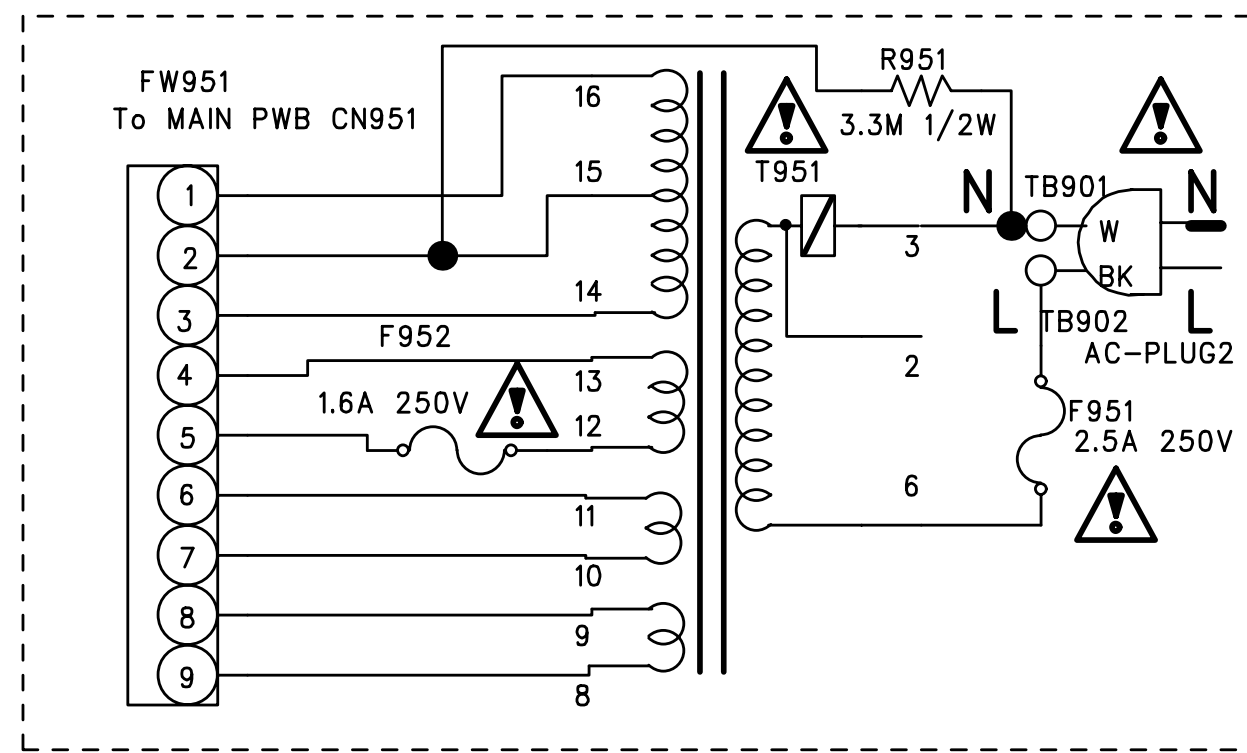
1





# Power transformer section

5  
4  
3  
2  
1



A | B | C | D | E | F | G |

# Printed circuit boards Main top PWB

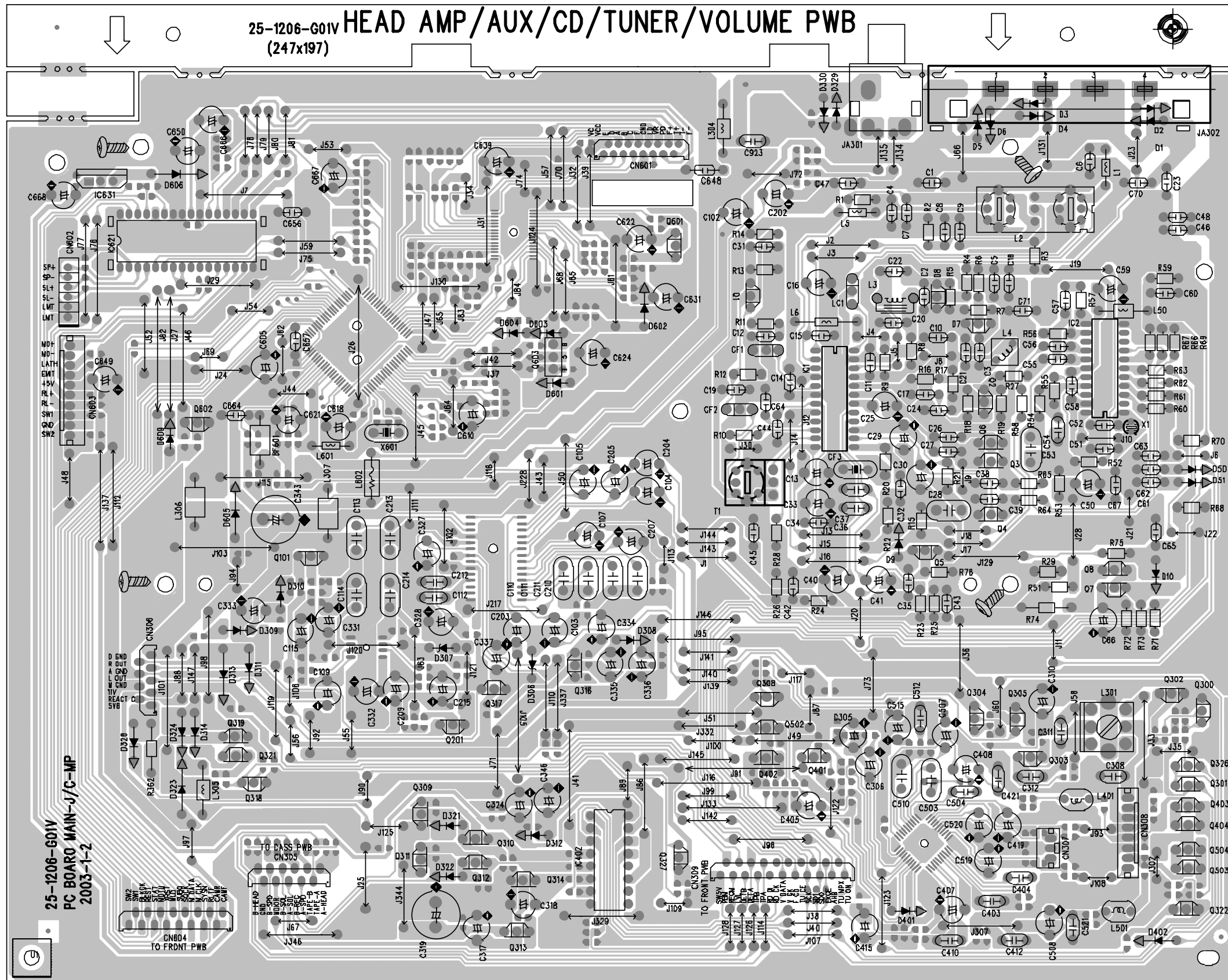
5

4

3

2

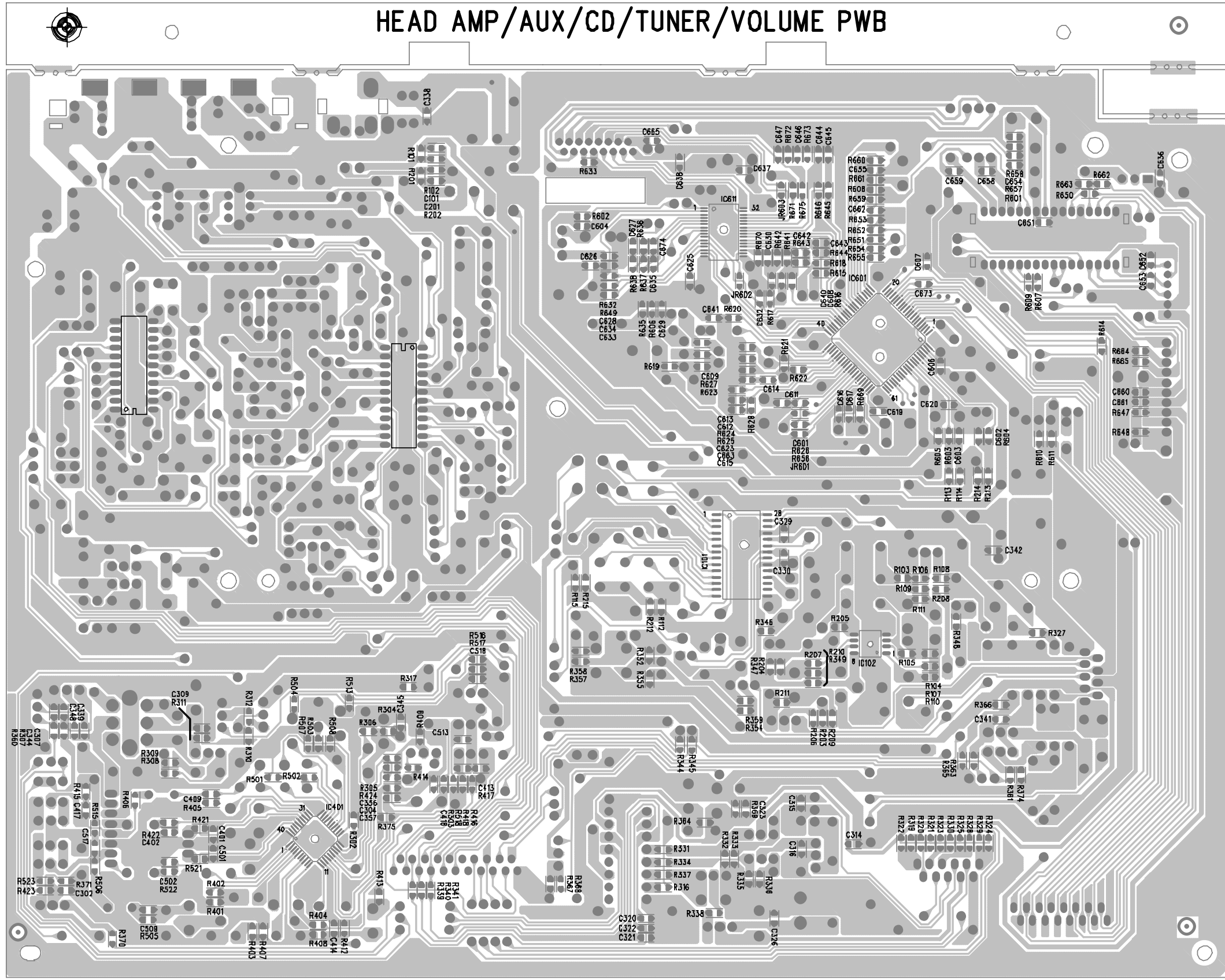
1



# Main bottom PWB

## HEAD AMP/AUX/CD/TUNER/VOLUME PWB

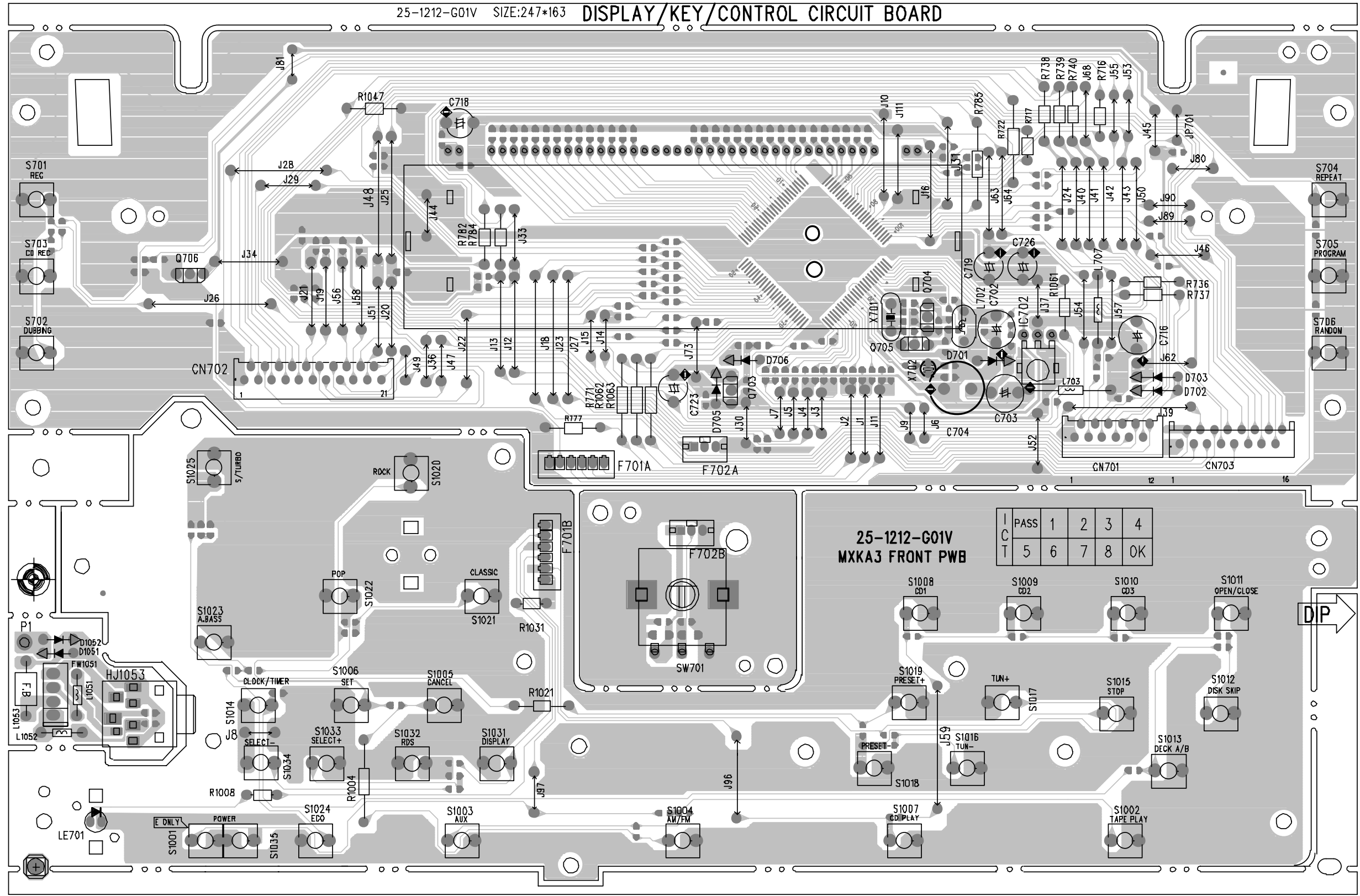
5  
4  
3  
2  
1



A | B | C | D | E | F | G

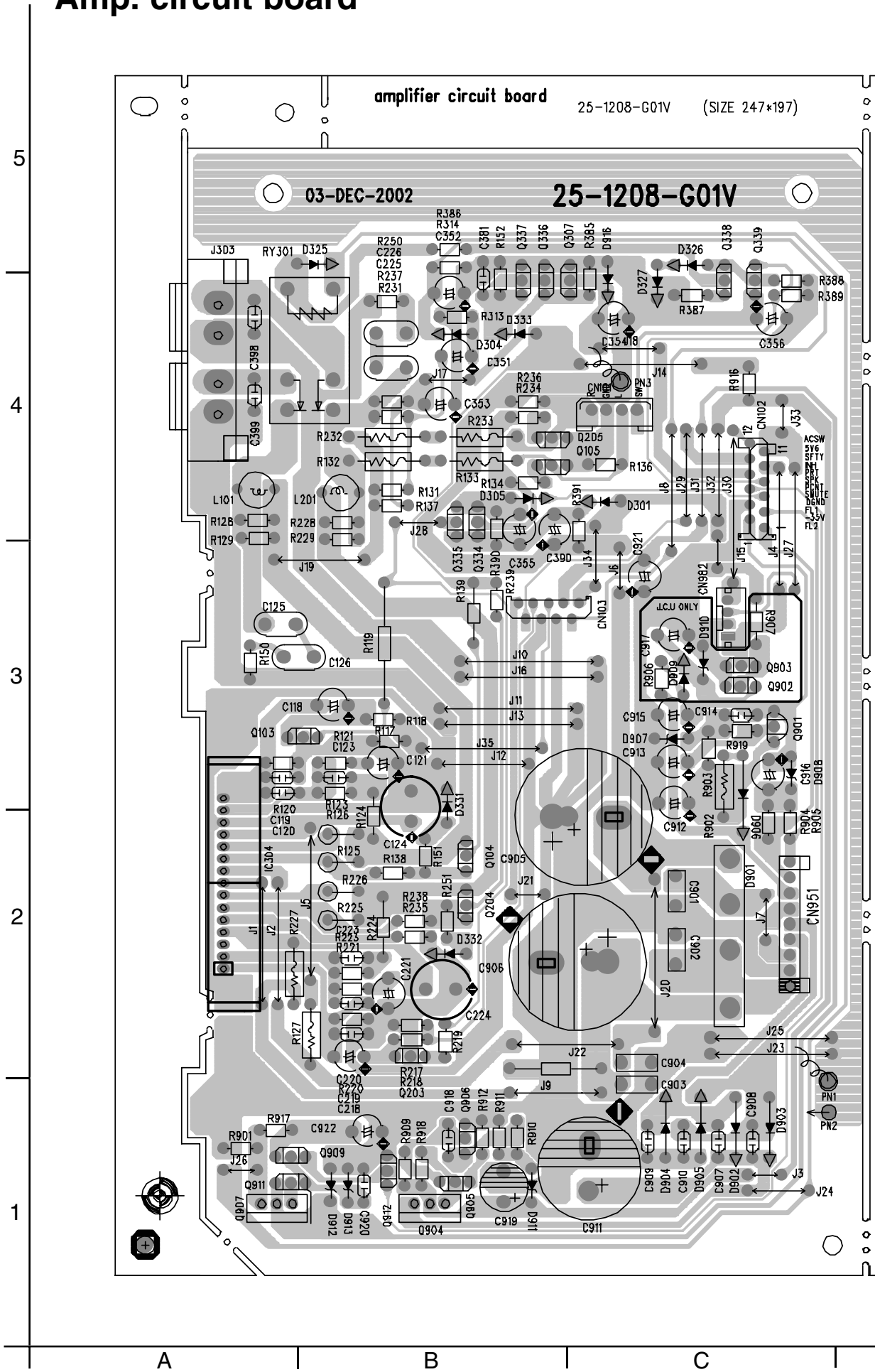
Front top PWB

5  
4  
3  
2  
1

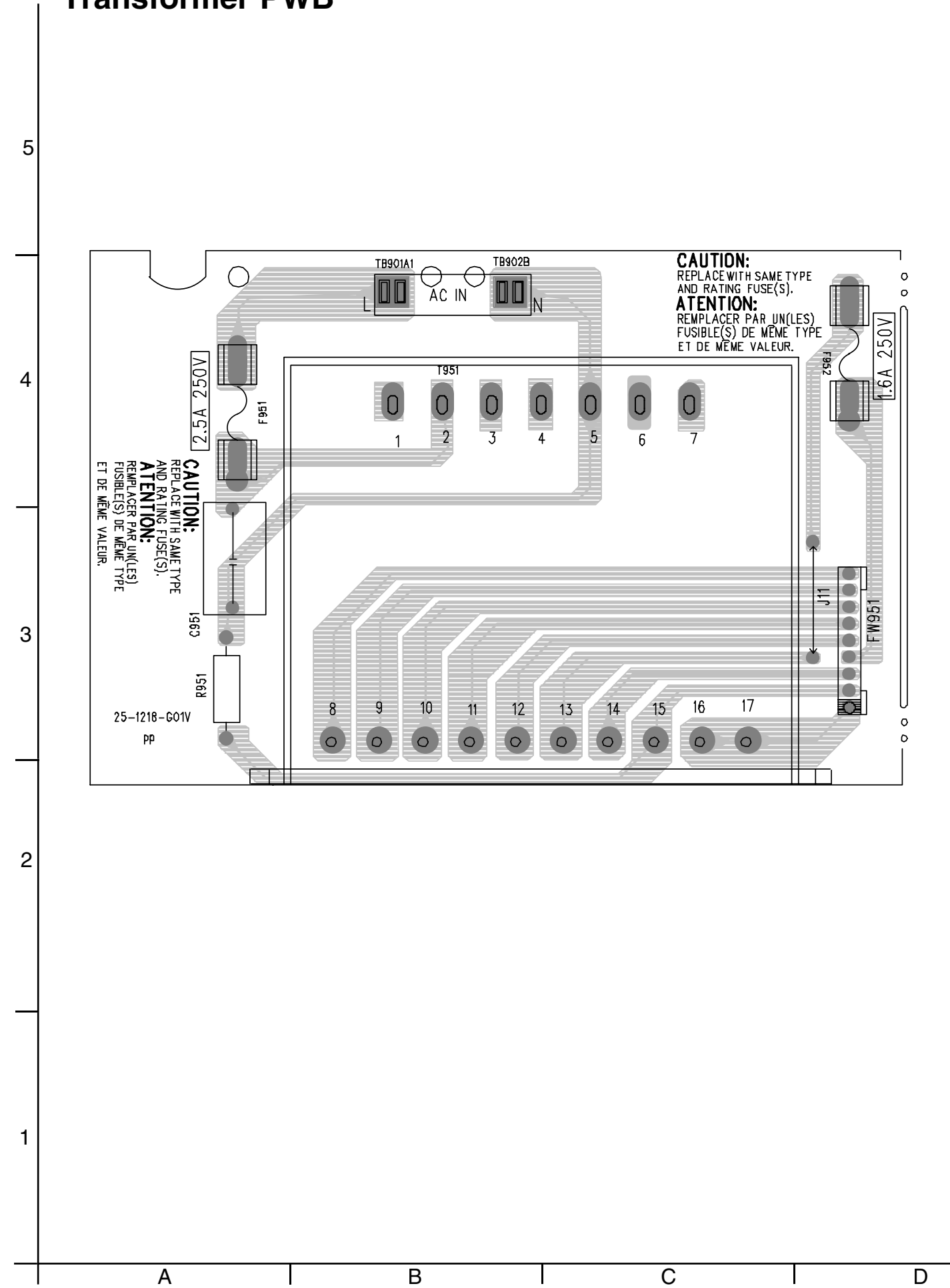




### Amp. circuit board



### Transformer PWB



< MEMO >

**JVC**

**VICTOR COMPANY OF JAPAN, LIMITED**

AV & MULTIMEDIA COMPANY AUDIO/VIDEO SYSTEMS CATEGORY 10-1,1Chome,Ohwatari-machi,Maebashi-city,371-8543,Japan